

**Vernis Shape**  
**Single lever bath mixer for concealed installation**  
 Surfaces: **Chrome** Article Number: **71458000**

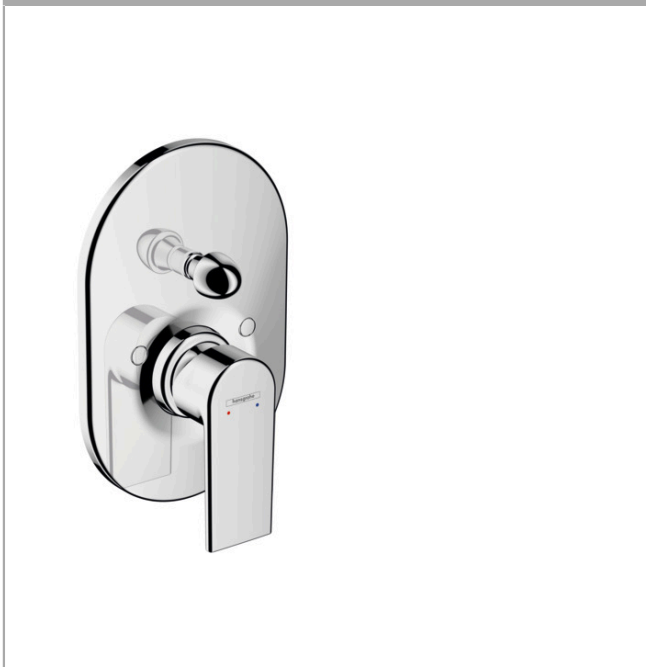


### Description

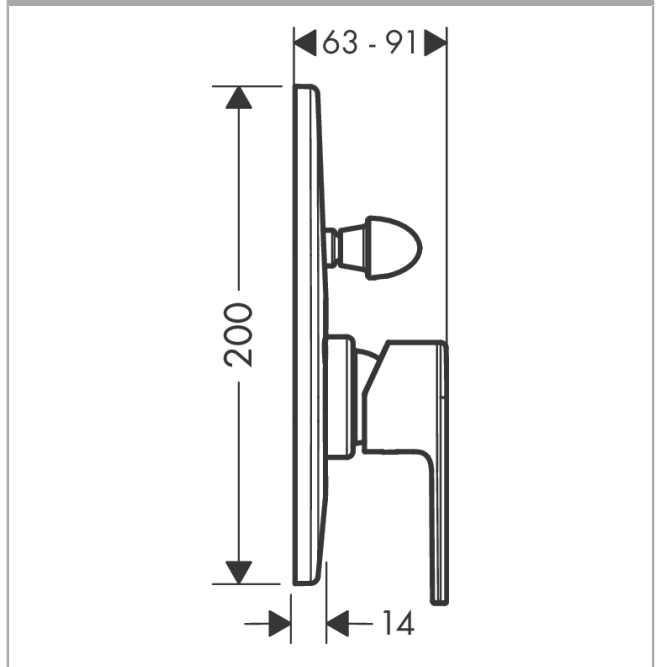
#### product features

- 2 functions
- connection type: basic set
- maximum flow rate at 3 bar: 30 l/min
- min. operating pressure: 1 bar
- max. operating pressure: 10 bar
- ceramic cartridge
- temperature limitation adjustable
- diverter with automatic resetting
- suitable for continuous flow water heaters

### Product image



### Scale drawing



### Flowchart

